

Eicher **Pro** Series

TRUCKS AND BUSES

THE **PRO** LEAGUE OF TRUCKING!



Incorporating Volvo Group Technology with South African Care

- Cabin adapted from Japanese design, meets AIS 029 safety standards
- Volvo Group Engine Management System 3.0
- Partnership with South Africa's largest dealership groups
- Proven DNA of fuel efficiency
- Tested across Africa and Asia for more than 500,000 kilometers
- Established parts distribution center and 24x7 helpline

 **EICHER**

GO PRO

PARTNERSHIP WITH THE VOLVO GROUP

Two leading players in the commercial vehicle business joined hands in 2008 with a convergent vision of driving modernization in commercial transportation. Volvo Group, the world's leading manufacturer of trucks, buses, construction equipments and marine and industrial engines, brought in its global expertise and world-class technology, while Eicher Motors brought in its innovative engineering and proven DNA of fuel efficiency. The Eicher Pro Series, a range of next generation trucks and buses, is a culmination of this joint venture.

THE PRO LEAGUE OF TRUCKING

Eicher introduces the all new Pro Series in South African market, a range of new generation trucks and buses designed and developed to usher in a Pro League, incorporating Volvo Group's world class technology & processes supported with South African After-sales Care.

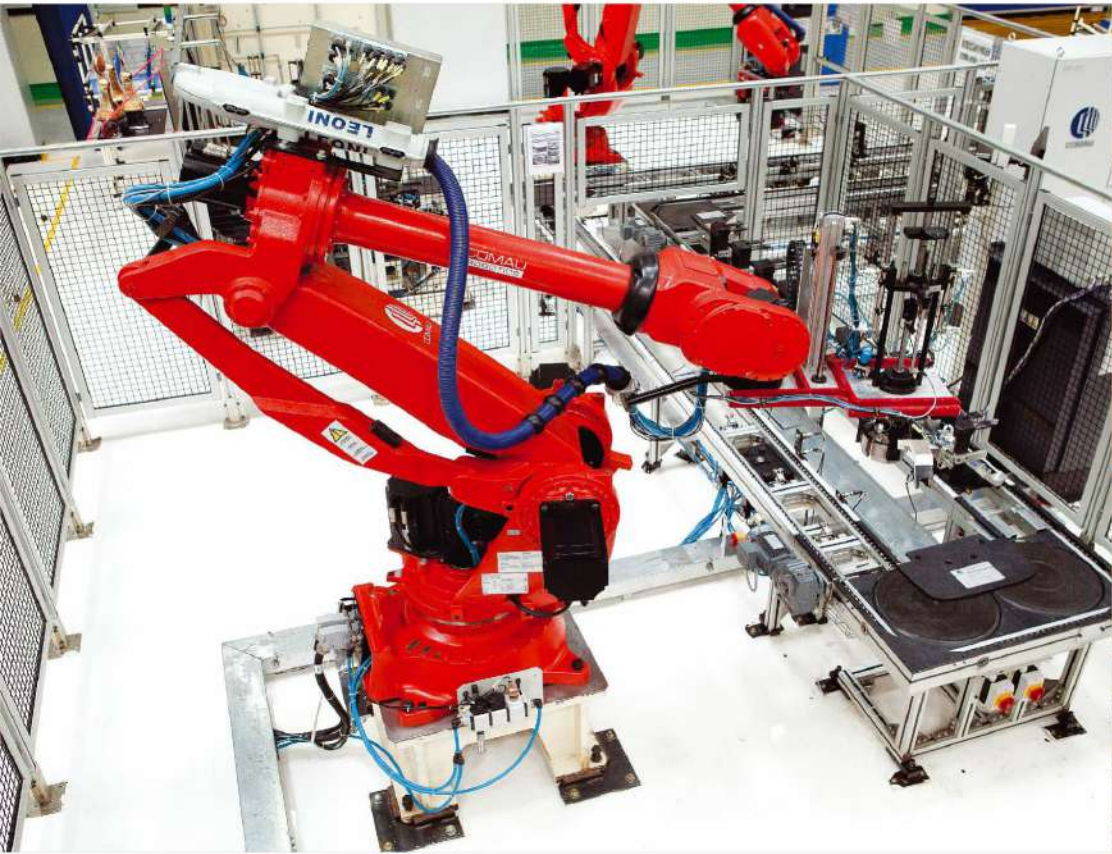
TESTED & BUILT FOR SOUTH AFRICA

Eicher Pro 3008 is tested across Asia and Africa for 500,000 kilometres through various terrains and climates.

INTRODUCING THE PRO SERIES IN SOUTH AFRICA



GLOBAL TECHNOLOGY



GLOBAL TECHNOLOGY MEETS INNOVATIVE ENGINEERING

The Eicher Pro Series has been designed and developed in a modern, high-tech and multi-facility manufacturing plant, which also houses a next-generation engine plant, built in collaboration with the Volvo Group. It not only manufactures Euro IV heavy-duty engines but also supplies Euro VI compliant automotive engines internationally, to the Volvo Group.

GLOBAL BENCHMARK MANUFACTURING PLANT

The completely new chassis and assembly line have been designed to balance global technology and processes with innovative engineering. The state-of-the-art manufacturing process which includes a robotic cab weld shop, CED paint shop and a 100% hot test facility, ensures quality and reliability of international standards.

Eicher Pro 3008

Eicher Pro 3008 delivers non-stop performance with unmatched fuel mileage. It is an 8.5T GVM truck that offers Class leading fuel efficiency, superior uptime and low maintenance, enhanced driver efficiency and safety through cabin adapted from Japanese design. Eicher Pro 3008 is powered with 147 Hp 4 cyl 4 valve CRS technology engine with Volvo Group Engine Management System 3.0. The EMS ensures high processing capability, optimum balance between load and demand, fuel efficiency, emission control and low end torque. This truck is infused with Intelligent Driver Information System (IDIS) which offers live information to the driver on truck operational parameters, fuel consumption and advanced diagnostics. It also provides engine protection against overheating.

Eicher Pro 3008 is tested across Asia and Africa for 500,000 kilometers through various terrains and climates.

THE TESTIMONY OF UNMATCHED PERFORMANCE IS ACHIEVED THROUGH:

- Class leading fuel efficiency
- Superior uptime and low maintenance
- Cabin for enhanced driver efficiency; with IDIS
- Active and passive safety

NON-STOP PERFORMER!



CLASS-LEADING FUEL EFFICIENCY

RELIABLE & POWERFUL ENGINE FOR NON-STOP PERFORMANCE

EICHER E494 ENGINE

Eicher Pro 3008 truck is solidly backed by the high performance E494 engine. With the new generation CRS 4 cylinder 4 valve engine and Volvo Group EMS 3.0. Eicher E494 delivers class-leading fuel efficiency and non-stop performance. It also has high combustion efficiency and low parasitic losses, leading to higher productivity and profitability.



FIE SYSTEM WITH ADVANCED JAPANESE TECHNOLOGY

The highly robust and reliable Japanese FIE (Fuel Injection Equipment) system delivers highest sustained fuel pressure maintaining optimum fuel economy.



EMS 3.0-VOLVO GROUP'S ENGINE MANAGEMENT SYSTEM

Volvo Group's EMS 3.0 has high processing capability that maintains optimum balance between load demand, fuel efficiency & emission control.

INTELLIGENT SYSTEMS

SYSTEMS THAT KEEP YOU IN CONTROL.



INTELLIGENT DRIVER INFORMATION SYSTEM (IDIS)

The IDIS provides live information to the driver on truck operational parameters, fuel consumption and advanced diagnostics. The information is relayed through tell-tale icons and audible alarms which the driver can easily understand and process. This ensures safe and efficient driving, with preventive vehicle maintenance, leading to minimum drive interruptions. Detailed fuel data, including instantaneous fuel value, average fuel consumption and distance to empty are also shown.



SUPERIOR UPTIME AND EASE OF MAINTENANCE

DURABLE AGGREGATES FOR LONGER LIFE

LOW AND EASY MAINTENANCE FOR LOWER TCO

Global technology coupled with advanced design and manufacturing processes ensure highly reliable and durable aggregates, translating into unmatched L10 life. The use of higher strength, lower weight composite materials derive maximum life from each component which makes sure the truck is on road and available for work.



DOMEX CHASSIS

Chassis with high tensile strength (650 mpa). All long members and cross members are CED painted for long life.



ADVANCED ON BOARD DIAGNOSTICS

Advanced diagnostics system throws up fault indicators to the driver in the form of visual signals, messages and alarms to check for probable causes and take corrective action. Together with the fully equipped Eicher service network, preventive and corrective maintenance of the truck is ensured, thus delivering superior uptime.



ENGINE THAT PROTECTS ITSELF

- EPS - Protection against engine overheating due to low oil pressure, high coolant temperature, fuel leak etc.
- FIE components protection
- Starter Motor protection



REAR AXLE

- Final drive ratio 4.8
- Sealed ball joints
- Large crown size of 320 mm dia



TRANSMISSION

- ET40 6 speed gear box
- 330 mm clutch dia with organic facing and clutch booster
- Aluminium clutch housing with inspection window



HIGH PERFORMANCE BATTERY

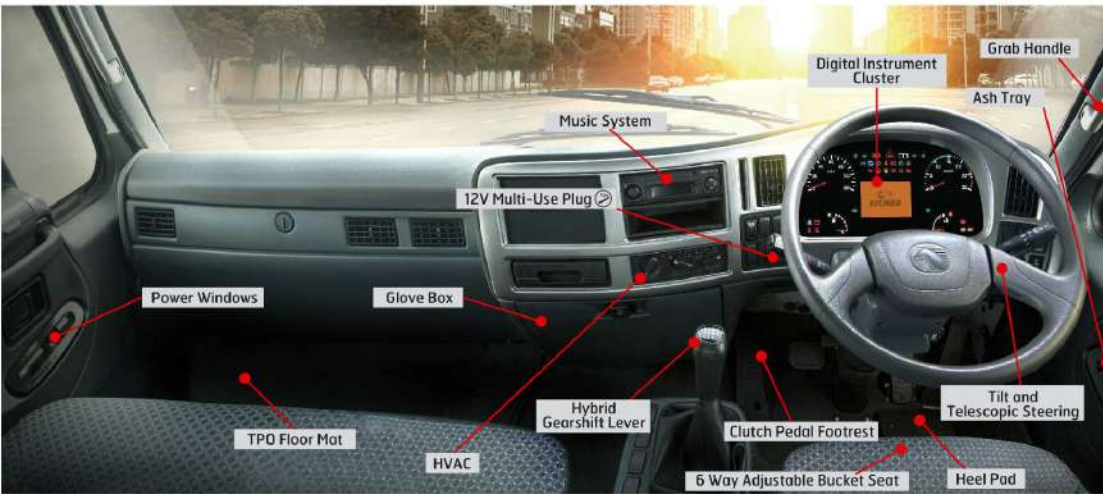
24V standard battery with cut off switch for stable supply of electric power



MONOTRON SHAFT

Monotron propeller shaft lubricated for life for a maintenance free operation

CABIN ADAPTED FROM JAPANESE DESIGN FOR COMFORT, SAFETY & EFFICIENCY



NEXT-GENERATION CABIN

The ultramodern truck cabin is ergonomically designed with state-of-the-art features and a spacious cabin, designed to provide a relaxed yet efficient workspace for the driver.

ACTIVE & PASSIVE SAFETY FEATURES



Meets AIS 029 Safety Standards



Dual Panel Cab



3 Point ELR Seatbelts



ABS



Airbrake



Fog Lamps With Bright Illumination



Radial Tubeless Tyres



Exhaust Brakes

TECHNICAL SPECIFICATIONS

Eicher Pro 3008

The medium duty truck

Model	Pro 3008
Vehicle Weight (Kgs)	
GVM	8500
FAW (laden)	3100
RAW (laden)	5800
Kerb weight - w/o load body	3230
Engine	
Model	4 Cylinder 4 Valve E494 Common Rail Diesel Engine equipped with Volvo Group EMS 3.0
Capacity	3770 cc
Max Power	147 Hp @ 2800 rpm
Max Torque	400 Nm @ 1400-2200 rpm
Emission	Euro II
Transmission	
Gear Box	ET40 S6 (6 Forward 1 Reverse)
Prop Shaft	SPL 55 Monotron
Gear Shift Linkage	Hybrid Type
Clutch	
Clutch	330 mm Plate Dia with Organic Facing and Clutch Booster
Rear Axle	
Rear Axle Ratio	4.8
Chassis Frame	
Type	Ladder type design with modular Domex frame
Section	210 X 76 X 5 thk
Steering System	
Type	Power steering
TCD (M)	13

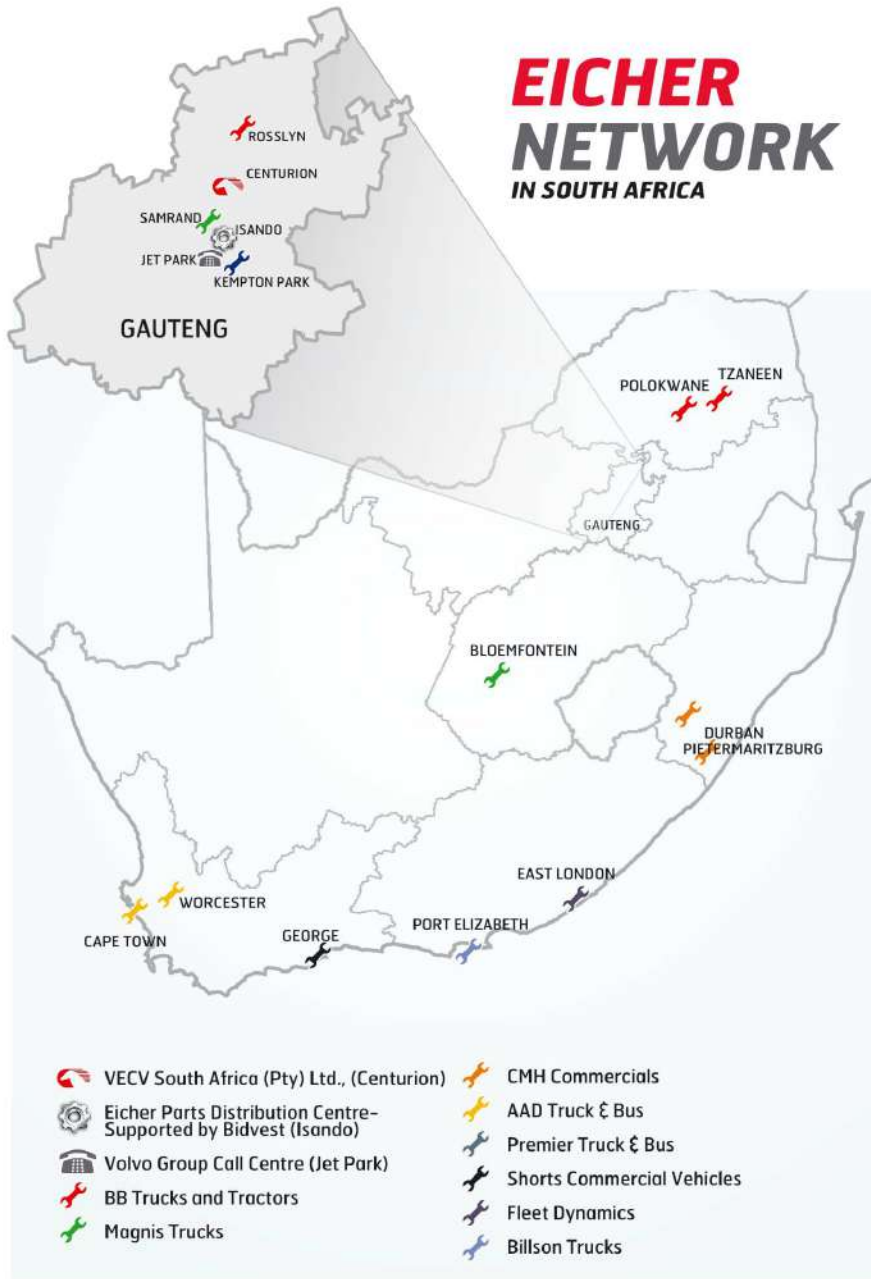
Suspension	
Front Suspension	Semi-Elliptic Laminated Leafs with Anti-Roll Bar and telescopic shock absorbers
Rear Suspension	Semi-Elliptic Laminated Leafs with telescopic shock absorbers (With Helper Springs)
Wheels & Tyres	
Tyre Size	Tubeless radial 235/75 R17.5
Wheel Rim size	6.75 G X 17.5 - 131.5
Cabin	
	2.1 m wide Aerodynamic and tiltable cabin with tilt and telescopic power steering, Audio system and Power windows
Model	New Pro 3000 series AC CAB with IDIS
Brakes	
Brake type	Dual Circuit, Full Air S-cam with Exhaust Brake
Parking brake type	Full Air Hand Operated on Rear Wheels
ABS	Standard
Electrical	
Battery	24V (12V x 2 Nos)
Alternator	24V 75 AH
Fuel Tank	
Size	190 liter
Performance	
Max Speed (kmph)	110
Gradeability	36%
Vehicle Dimensions (mm)	
Wheel Base	3850
FOH	1198
ROH	2105
Cabin Width	2100
Possible Load Body Length	5200
Ground Clearance	180

Applications

Eicher Pro 3008 suited for varied applications



EICHER NETWORK IN SOUTH AFRICA



AFTER MARKET ASSURANCE

The point of sale is just the beginning of the relationship, which is a commitment to partner the customer right through the entire life cycle of the vehicle.

SERVICE ASSURANCE

COUNTRYWIDE NETWORK

Eicher promises to deliver customer service with unmatched reliability & quality of repairs thru our countrywide dealers network.

TRAINED WORKFORCE

To maintain service quality standards, the workshop teams are trained and certified by Eicher for diagnostics skills and exhaustive knowledge of all our products.

STATE OF ART WORKSHOPS

Workshops are equipped with all modern equipment for quick service State-of-the-art diagnostic system.



PARTS ASSURANCE

PARTS AVAILABILITY

Eicher Parts Distribution Team with help of local warehousing & distribution experts ensures speedy parts supply and minimum delays in delivery of parts to our Dealer Network.

PARTS WARRANTY

With a vision to reduce the perceived performance related issues as well as the financial risk to the customer, Eicher extends a warranty along with Eicher Genuine Parts.

SUPPORT AGGREGATES

To ensure higher uptime of vehicles VECVSA is equipped with support aggregates which will support customer with fit first repair later view.



EICHER ON CALL

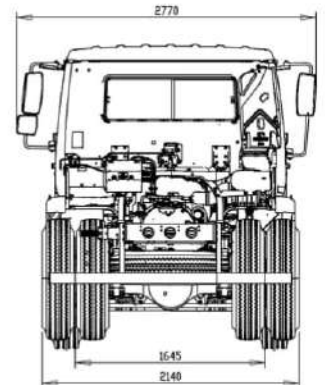
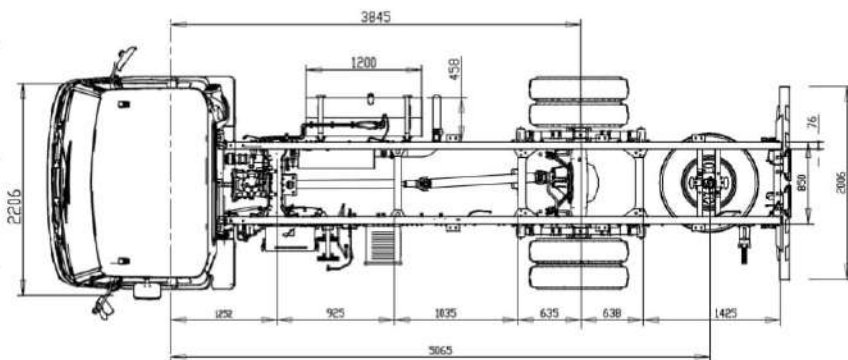
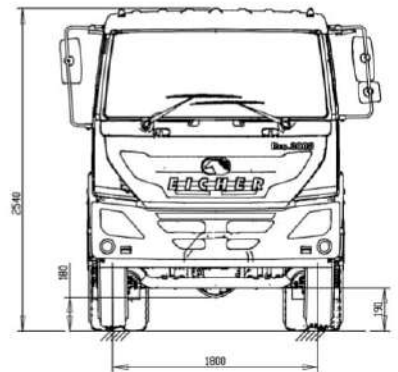
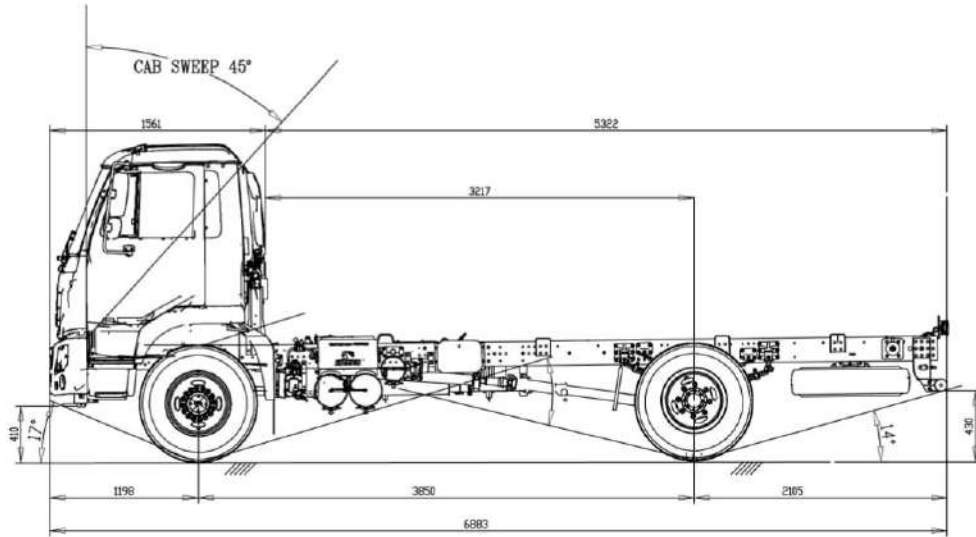
24x7 Eicher call center support to support operator incase vehicle stand immobilized enroute. Fully equipped dealers team ensures quick resolution by enroute breakdown assistance.



EICHER has an extensive service reach and no matter where you are, Eicher service is never too far away. Eicher has wide and expanding authorized contact points across the country with professionally trained dealership service teams, ensuring your vehicle is in safe hands. Eicher dealers are equipped with mobile service vans and 24x7 helpline numbers to ensure quick response. What's more, Eicher genuine parts made to exact specifications, are economical and widely available across Eicher dealers, service centers, spare distributors and other outlets.

Eicher Pro 3008

NON-STOP PERFORMER



VE COMMERCIAL VEHICLES
A VOLVO GROUP AND EICHER MOTORS JOINT VENTURE

VECV SOUTH AFRICA (PTY.) LIMITED

Registration Number- 2016/007012/07
Unit 15 Cambridge Office Park, 5 Bauhinia Street,
Highveld Technopark, Centurion, South Africa.
Tel: +27 825568366, +27 761646340